

ARCHITECTURAL DRAWING

SCHOOL BUILDING DESIGN (2 CLASSROOMS)

TYPE DESIGN OF SCHOOL BUILDING
FOR HIMALAYAN/ HILLY REGION

DEPARTMENT OF EDUCATION
SANOTHIMI, BHAKTAPUR

Government of Nepal
Ministry of Education
Department of Education
Sanothimi, Bhaktapur

NATIONAL SOCIETY FOR EARTHQUAKE TECHNOLOGY-NEPAL. (NSET)
Sainbu, Karyabinayak Municipality, Bhainsepati Residential Area, Lalitpur
Tel(977-1)5591000, Fax: (997-1)5592692, P.O BOX: 13775, Kathmandu, Nepal
Email: nset@nset.org.np

JOB TITLE :
**TYPE DESIGN OF SCHOOL BUILDING
FOR HIMALAYAN/ HILLY REGION**

Title :

Date :

Scale :

Designed by :

:

Drawn by :

Checked by :

Drawing Code:-

GENERAL NOTES:

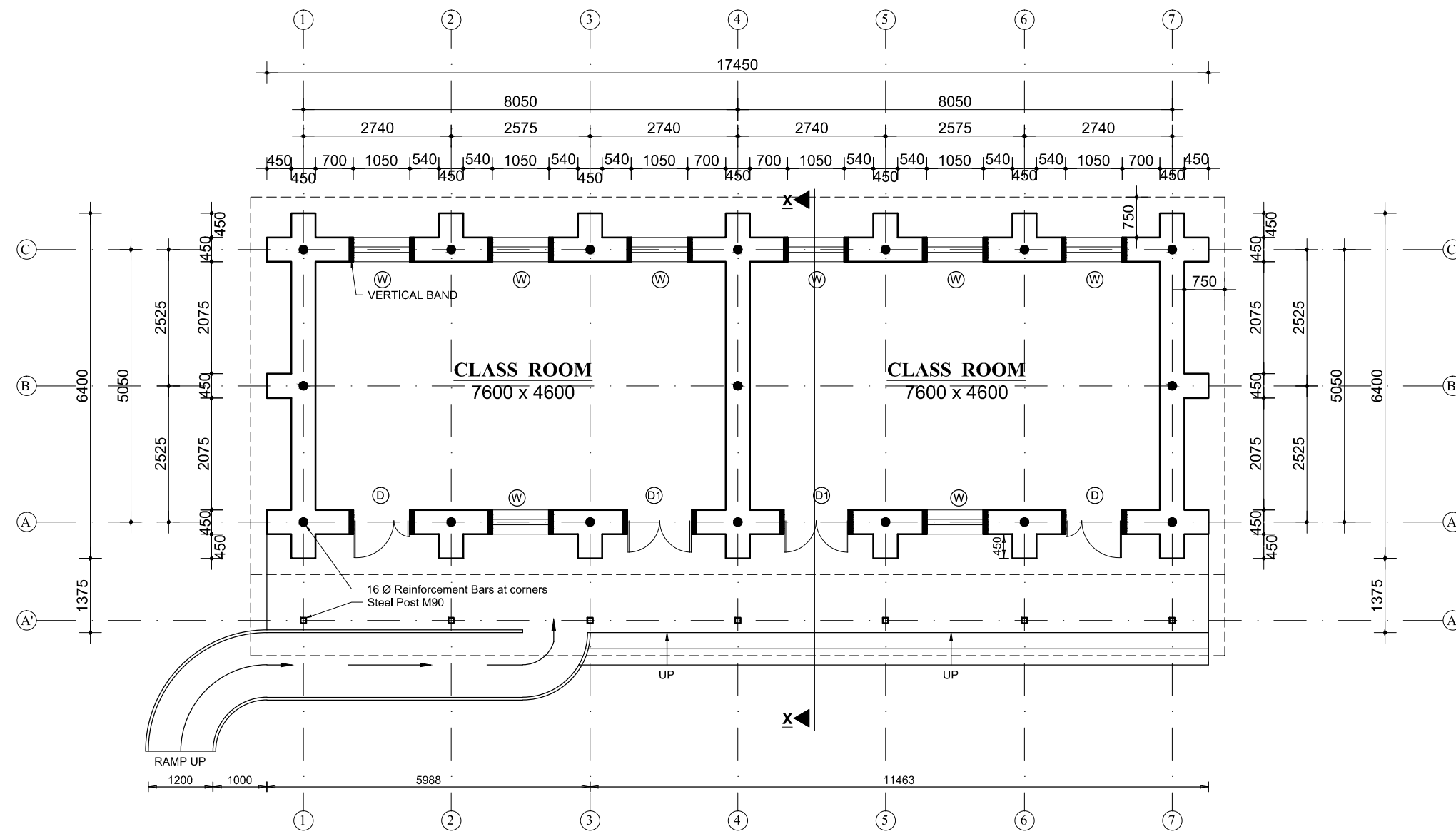
1. All dimension are in Millimeter.
2. **This building is designed for single storey load bearing masonry structure only.**
3. **No any horizontal and vertical extensions on building is allowed.**
4. All works to be carried out in accordance with current best practice, building regulations, the project specification and relevant Nepal building code (NBC), Indian Standards and Codes of practice. materials and components to be appropriate for their intended use.
5. Do not measure drawings, used dimension mentioned. Any missing dimension shall be conformed to Site Engineer.

STRUCTURAL

1. Cast in Situ concrete shall have minimum 28 days compressive cube strength of 20 N/mm² for all structural member.
2. Reinforcement steel shall be Fe500 and Fe415, NS Marked
3. The cement shall be Ordinary Portland Cement conforming to IS 269:1976, NS Marked.
4. All R.C.C works shall be continuously cure for 14 days.
5. All cement plaster works shall be continuously cure for 7 days.

INDEX

SHEET NO.	SHEET TITLE
A/01	GROUND FLOOR PLAN
A/02	ELEVATIONS
A/03	SECTION AND DETAILS
A/04	ROOF PLAN
A/05	TRENCH PLAN
A/06	WALL SECTION AND FOUNDATION DETAILS
A/07	TRUSS DETAILS SECTION
A/8a	TRUSS DETAILS (TYPE-A)
A/8b	TRUSS DETAILS (TYPE-A)
A/9a	TRUSS DETAILS (TYPE-B)
A/9b	TRUSS DETAILS (TYPE-B)



FLOOR PLAN

Government of Nepal
 Ministry of Education
 Department of Education
 Sanothimi, Bhaktapur

NATIONAL SOCIETY FOR EARTHQUAKE TECHNOLOGY-NEPAL. (NSET)
 Sainbu, Karyabinayak Municipality, Bhainsepati Residential Area, Lalitpur
 Tel:(977-1)5591000, Fax: (997-1)5592692, P.O BOX: 13775, Kathmandu, Nepal
 Email: nset@nset.org.np

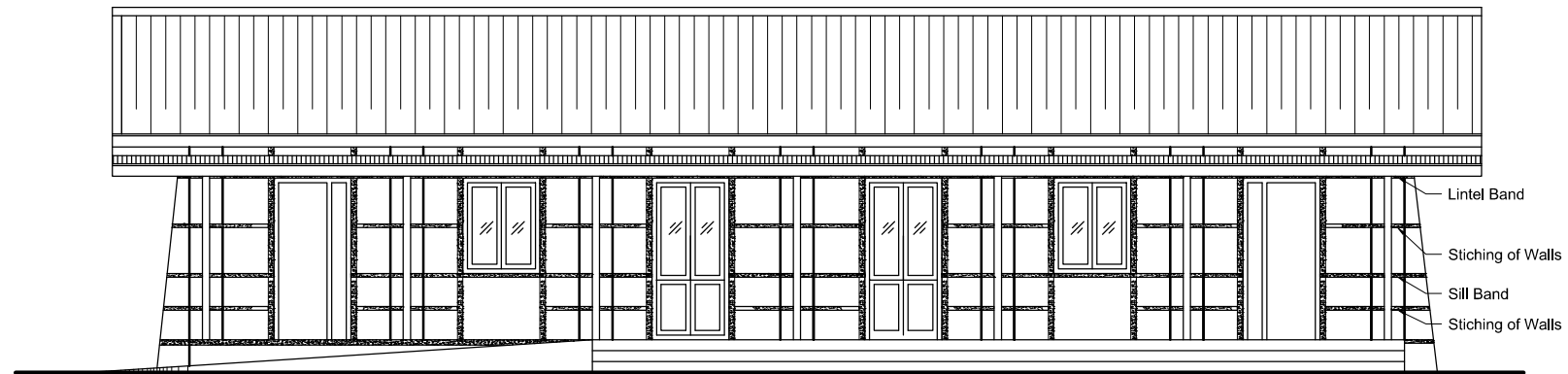
JOB TITLE :
**TYPE DESIGN OF SCHOOL BUILDING
 FOR HIMALAYAN/ HILLY REGION**

Title :
GROUND FLOOR PLAN

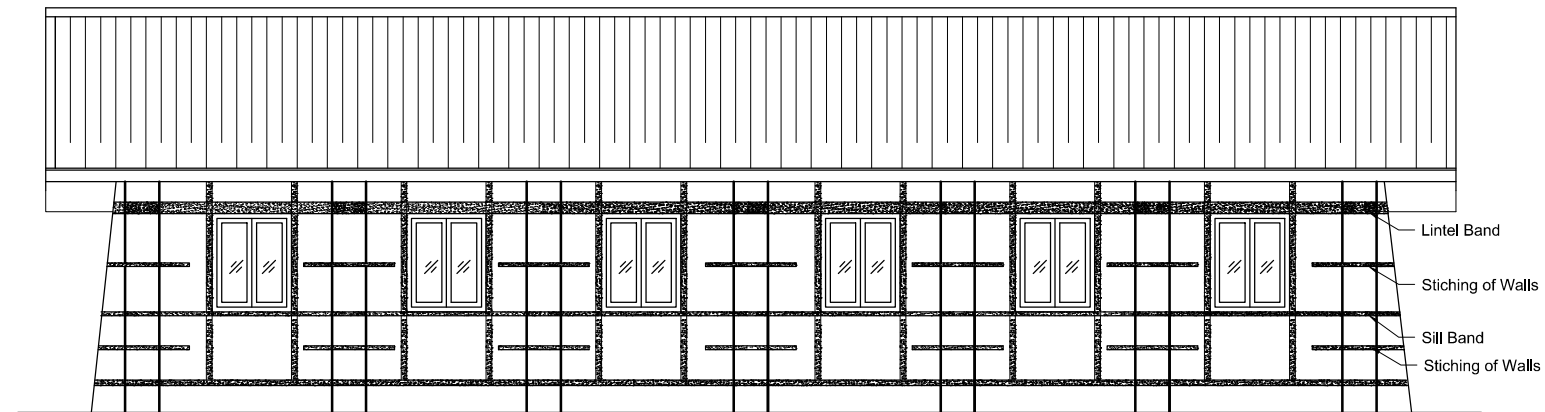
Date :
 Scale : 1:100 FOR A3 PAPER
 Designed by : Er. GOVIND RAJ BHATTA
 M SC. STRUCTURAL ENGINEER
 NEC NO. 6361 CIVIL 'A'
 Drawn by : Ar. SABINDRA SHRESTHA
 Checked by :

Drawing Code:-

Sheet No:- A/01



FRONT ELEVATION



BACK ELEVATION

Government of Nepal
 Ministry of Education
 Department of Education
 Sanothimi, Bhaktapur

NATIONAL SOCIETY FOR EARTHQUAKE TECHNOLOGY-NEPAL. (NSET)
 Sainbu, Karyabinayak Municipality, Bhainsepati Residential Area, Lalitpur
 Tel:(977-1)5591000, Fax: (997-1)5592692, P.O BOX: 13775, Kathmandu, Nepal
 Email: nset@nset.org.np

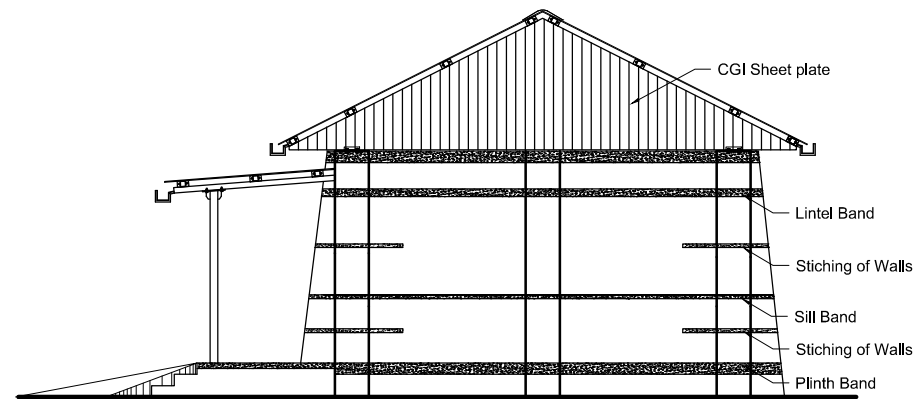
JOB TITLE :
**TYPE DESIGN OF SCHOOL BUILDING
 FOR HIMALAYAN/ HILLY REGION**

Title :
ELEVATIONS

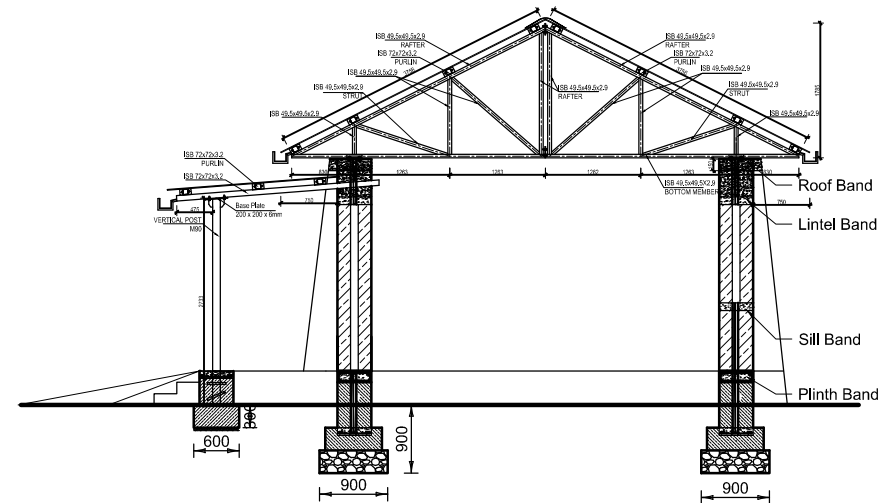
Date :
 Scale : 1:100 FOR A3 PAPER
 Designed by : Er. GOVIND RAJ BHATTA
 M SC. STRUCTURAL ENGINEER
 NEC NO. 6361 CIVIL 'A'
 Drawn by : Ar. SABINDRA SHRESTHA
 Checked by :

Drawing Code:-

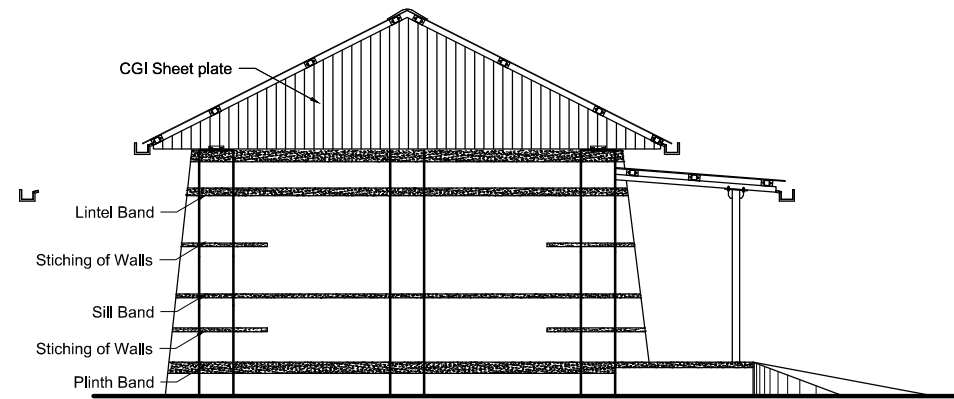
Sheet No:- A/02



RIGHT SIDE ELEVATION



SECTION AT X-X



LEFT SIDE ELEVATION

OPENING SCHEDULE

NO.	DESCRIPTION	SYMBOL	SIZE	NOS.
1.	DOOR	D	1050 X 2200	2
2.	DOOR	DI	1200 X 2200	2
3.	WINDOW	W	1050 X 1300	8

Government of Nepal
Ministry of Education
Department of Education
Sanothimi, Bhaktapur

NATIONAL SOCIETY FOR EARTHQUAKE TECHNOLOGY-NEPAL. (NSET)
Sainbu, Karyabinayak Municipality, Bhainsepati Residential Area, Lalitpur
Tel(977-1)5591000, Fax: (997-1)5592692, P.O BOX: 13775, Kathmandu, Nepal
Email: nset@nset.org.np

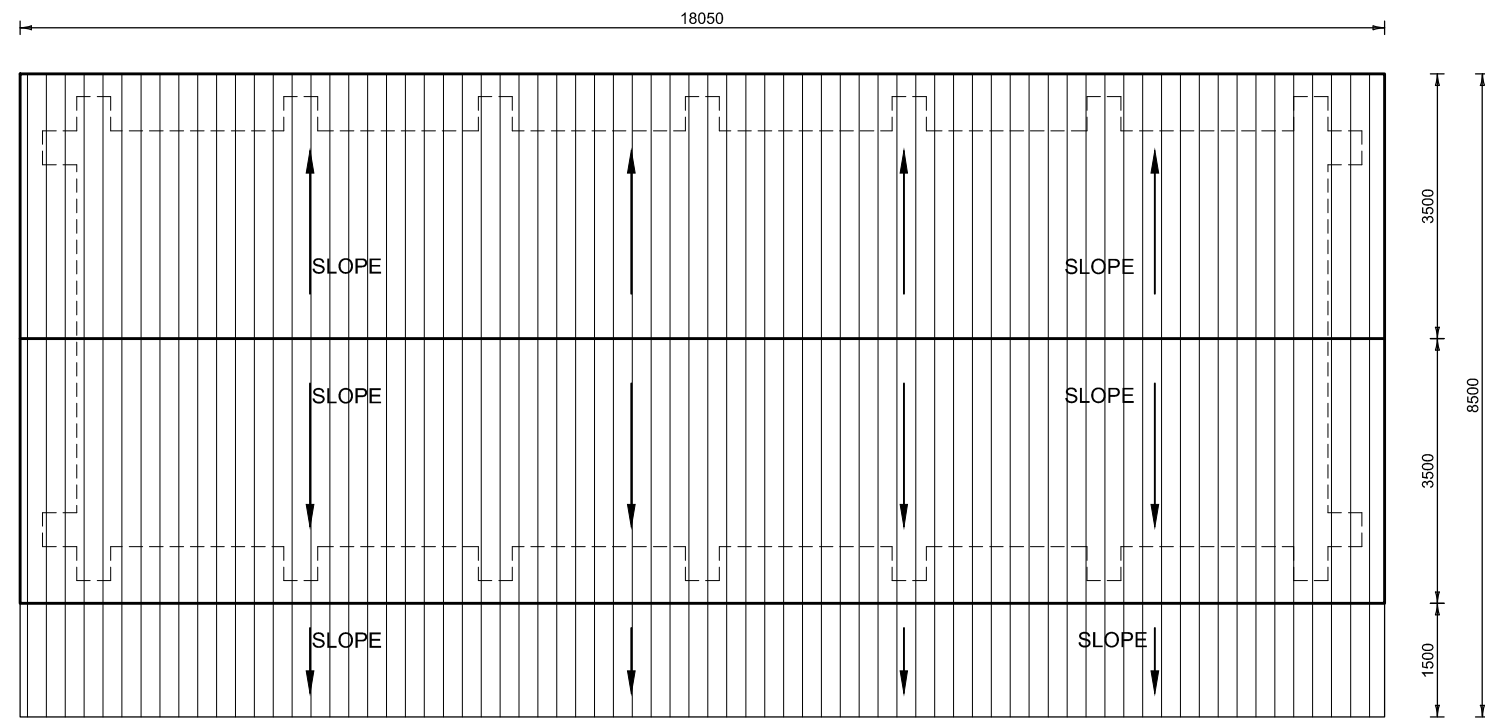
JOB TITLE :
**TYPE DESIGN OF SCHOOL BUILDING
FOR HIMALAYAN/ HILLY REGION**

Title :
ELEVATIONS AND SECTION

Date :
Scale : 1:100 FOR A3 PAPER
Designed by : Er. GOVIND RAJ BHATTA
M SC. STRUCTURAL ENGINEER
NEC NO. 6361 CIVIL 'A'
Drawn by : Ar. SABINDRA SHRESTHA
Checked by :

Drawing Code:-

Sheet No:- A/03



ROOF PLAN

Government of Nepal
 Ministry of Education
 Department of Education
 Sanothimi, Bhaktapur

NATIONAL SOCIETY FOR EARTHQUAKE TECHNOLOGY-NEPAL. (NSET)
 Sainbu, Karyabinayak Municipality, Bhainsepati Residential Area, Lalitpur
 Tel:(977-1)5591000, Fax: (997-1)5592692, P.O BOX: 13775, Kathmandu, Nepal
 Email: nset@nset.org.np

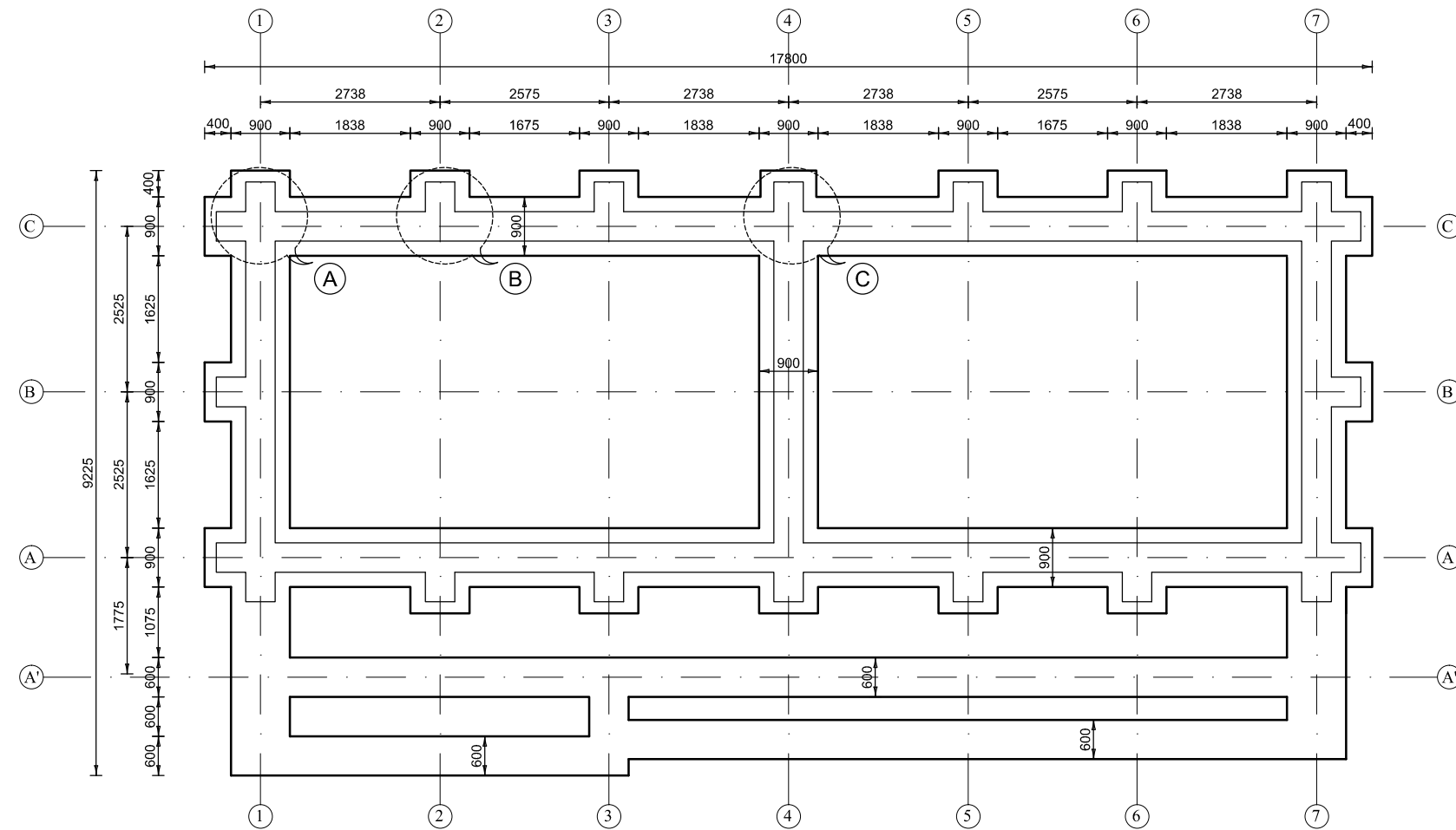
JOB TITLE :
**TYPE DESIGN OF SCHOOL BUILDING
 FOR HIMALAYAN/ HILLY REGION**

Title :
ROOF PLAN

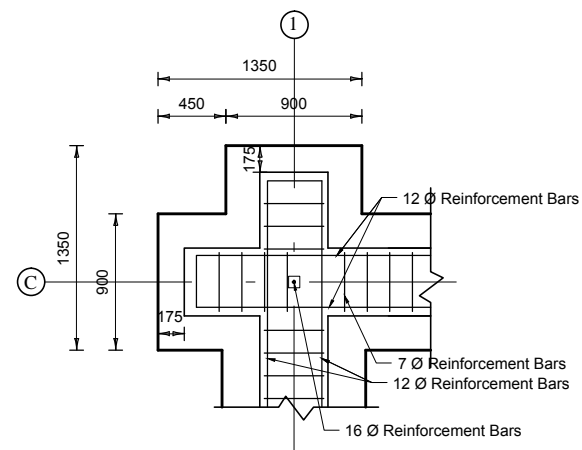
Date :
 Scale : 1:100 FOR A3 PAPER
 Designed by : Er. GOVIND RAJ BHATTA
 M SC. STRUCTURAL ENGINEER
 NEC NO. 6361 CIVIL 'A'
 Drawn by : Ar. SABINDRA SHRESTHA
 Checked by :

Drawing Code:-

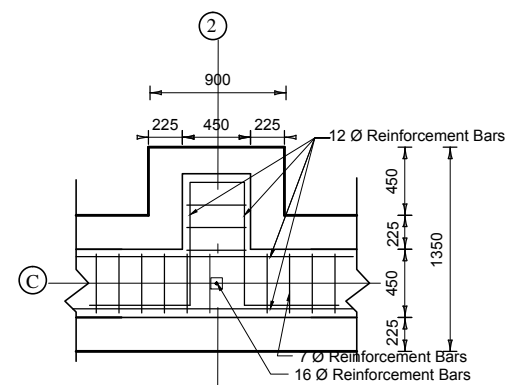
Sheet No:- A/04



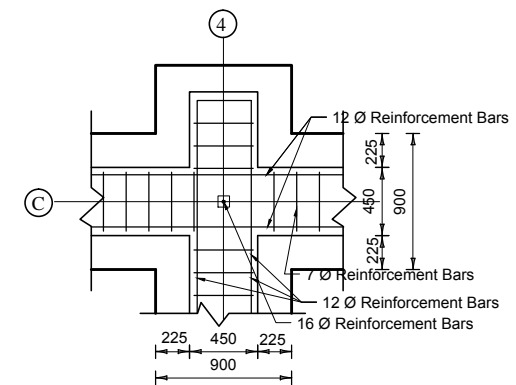
TRENCH PLAN



DETAIL AT A



DETAIL AT B



DETAIL AT C

Government of Nepal
Ministry of Education
Department of Education
Sanothimi, Bhaktapur

NATIONAL SOCIETY FOR EARTHQUAKE TECHNOLOGY-NEPAL. (NSET)
Sainbu, Karyabinayak Municipality, Bhainsepati Residential Area, Lalitpur
Tel:(977-1)5591000, Fax: (997-1)5592692, P.O BOX: 13775, Kathmandu, Nepal
Email: nset@nset.org.np

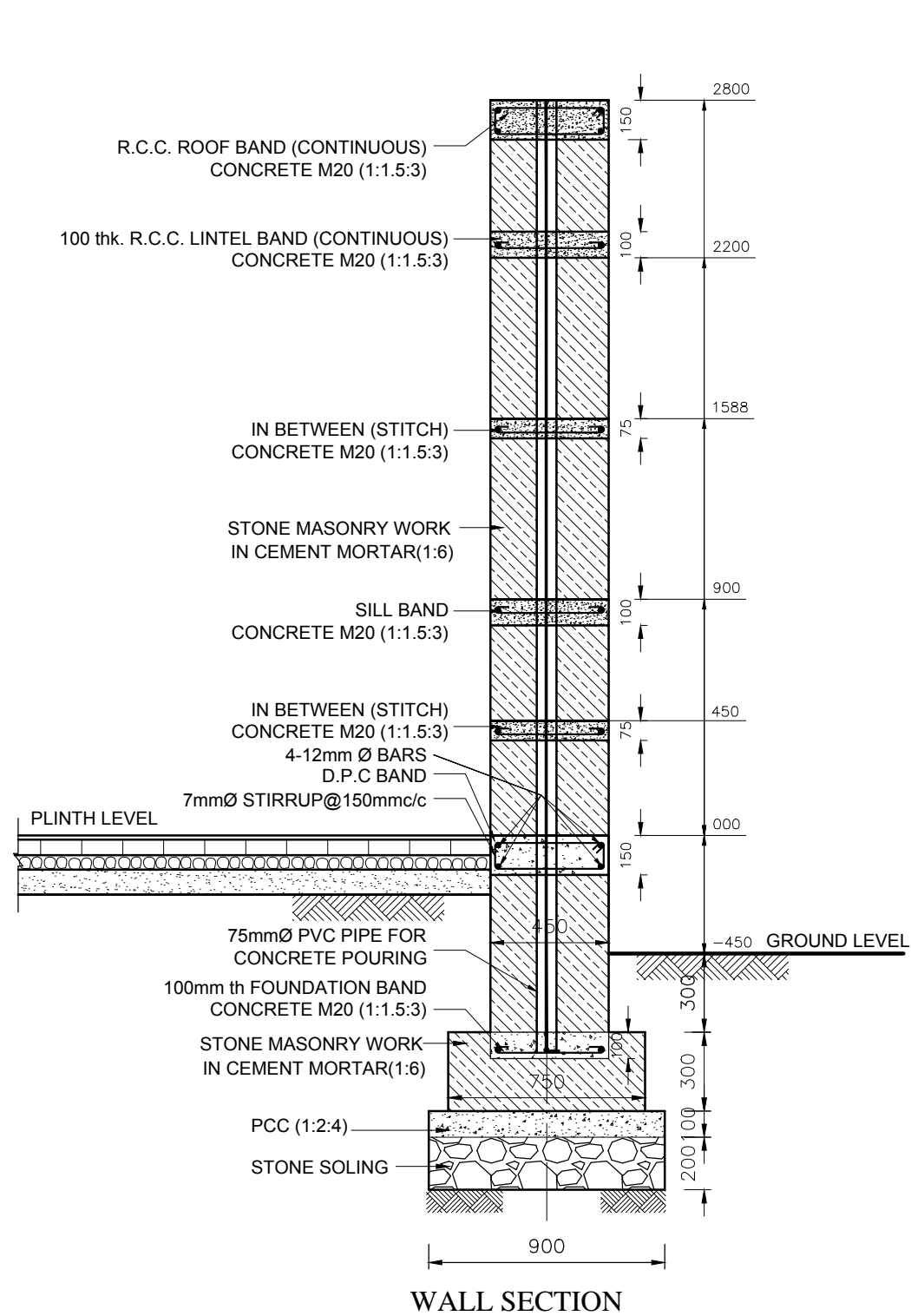
JOB TITLE :
**TYPE DESIGN OF SCHOOL BUILDING
FOR HIMALAYAN/ HILLY REGION**

Title :
TRENCH PLAN AND DETAILS

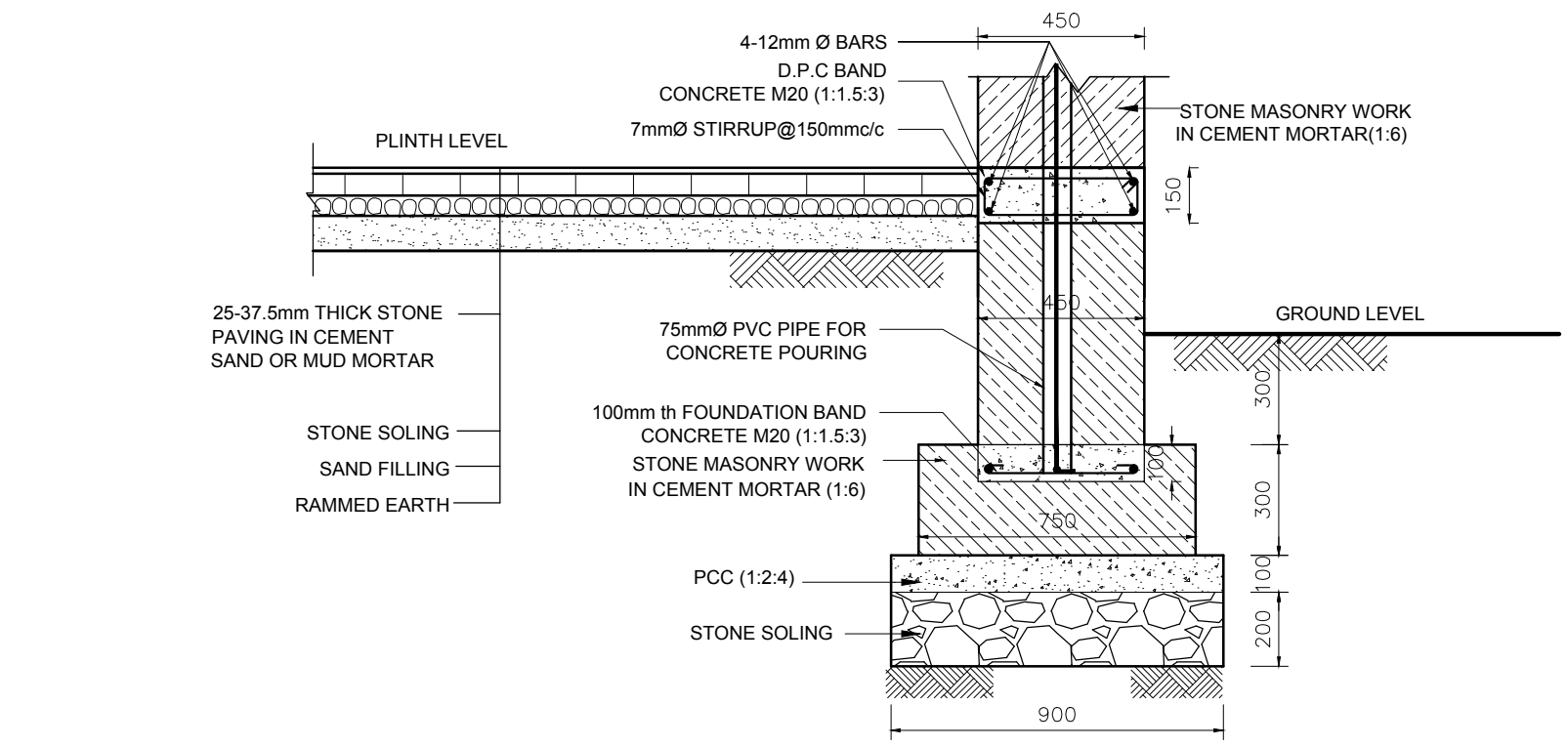
Date :
Scale : 1:100, 1:25 FOR A3 PAPER
Designed by : Er. GOVIND RAJ BHATTA
M SC. STRUCTURAL ENGINEER
NEC NO. 6361 CIVIL 'A'
Drawn by : Ar. SABINDRA SHRESTHA
Checked by :

Drawing Code:-

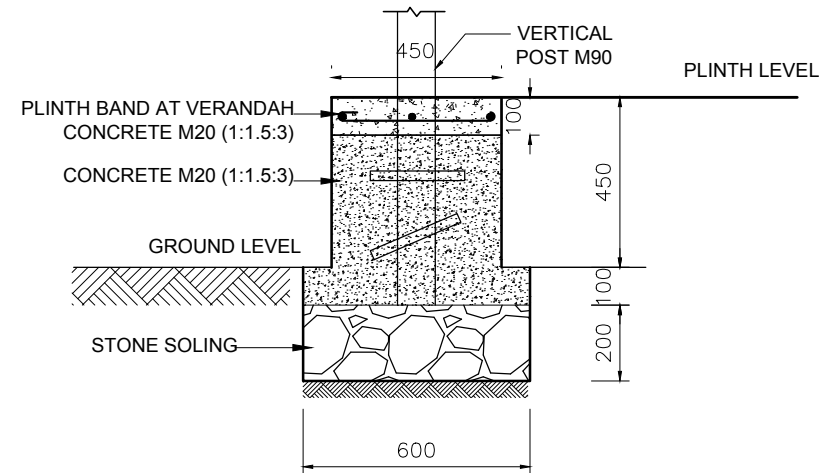
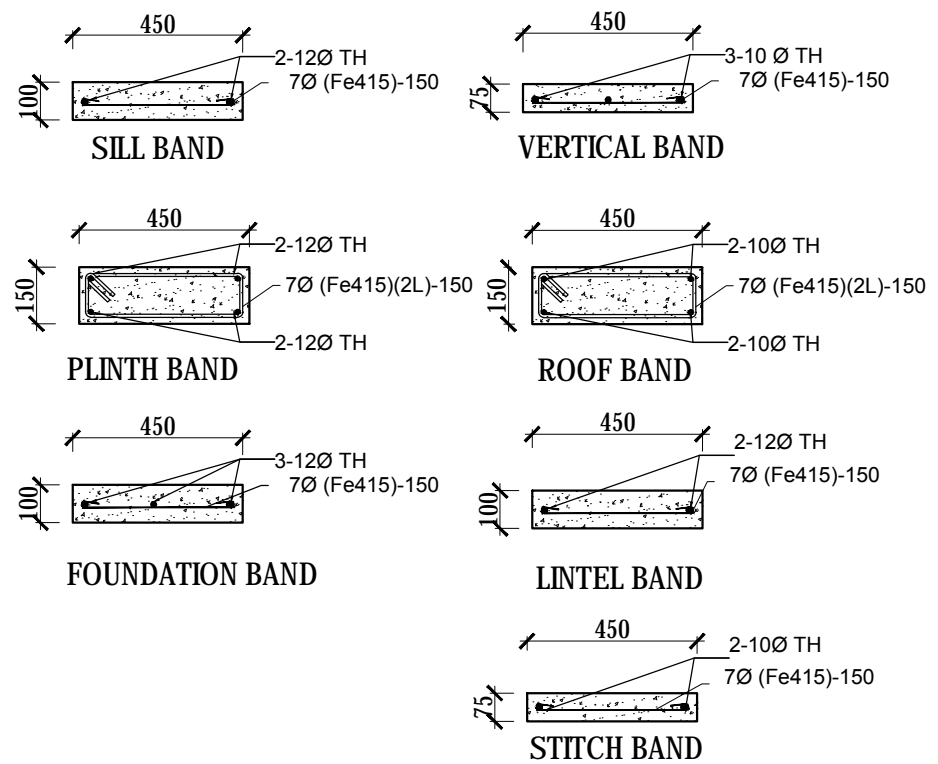
Sheet No:- A/05



WALL SECTION



FOUNDATION DETAIL



FOUNDATION DETAIL AT VERANDAH

Government of Nepal
Ministry of Education
Department of Education
Sanothimi, Bhaktapur

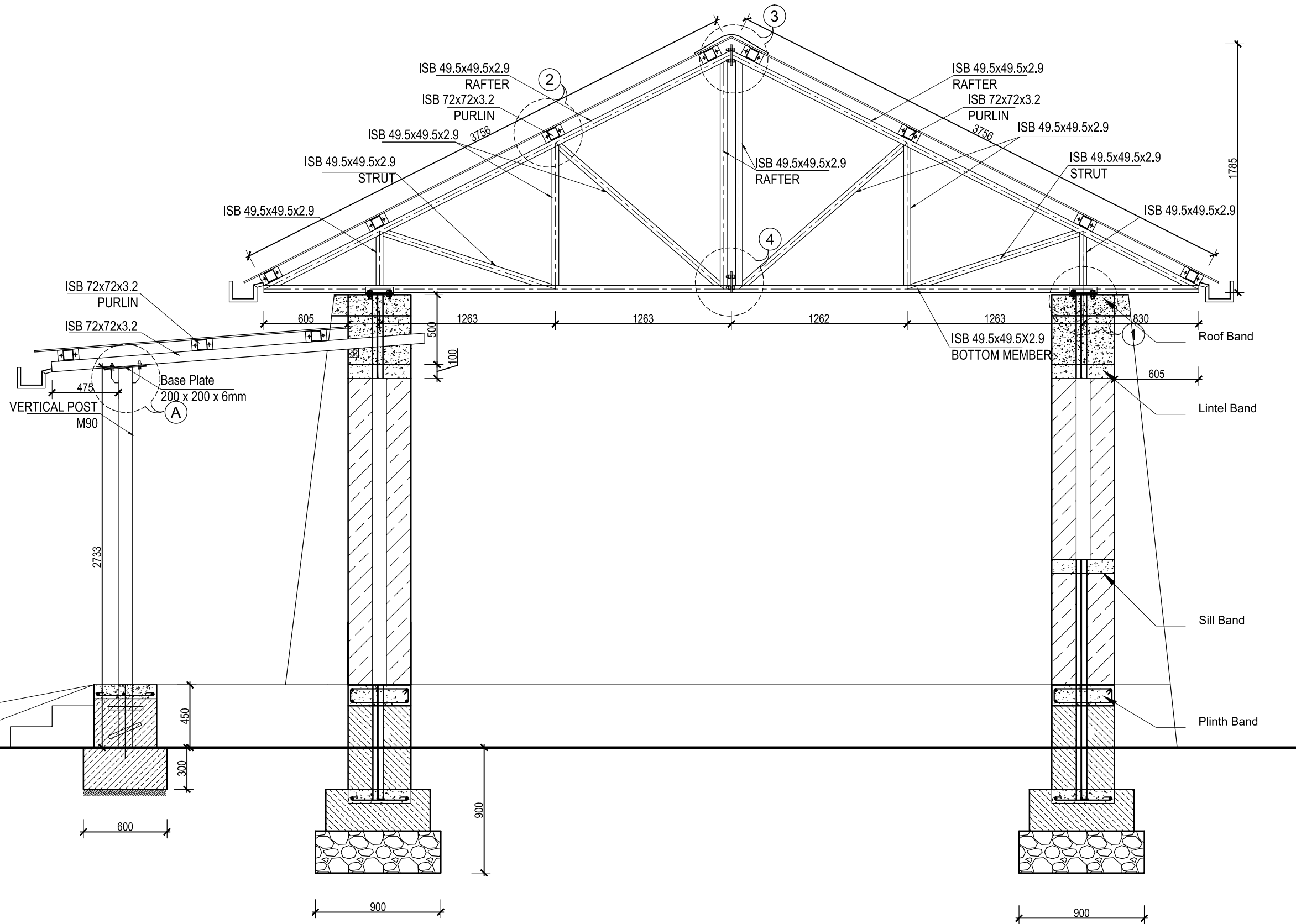
NATIONAL SOCIETY FOR EARTHQUAKE TECHNOLOGY-NEPAL. (NSET)
Sainbu, Karyabinayak Municipality, Bhainsepati Residential Area, Lalitpur
Tel:(977-1)5591000, Fax: (997-1)5592692, P.O BOX: 13775, Kathmandu, Nepal
Email: nset@nset.org.np

JOB TITLE :
TYPE DESIGN OF SCHOOL BUILDING FOR HIMALAYAN/ HILLY REGION
Title :
WALL SECTION AND FOUNDATION DETAILS

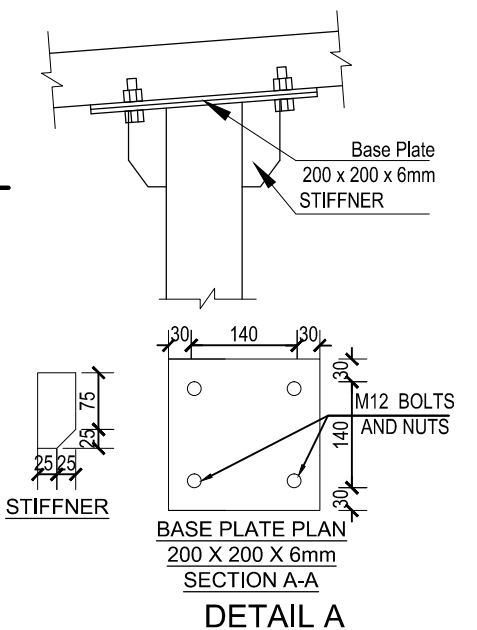
Date :
Scale : 1:20, 1:25 FOR A3 PAPER
Designed by : Er. GOVIND RAJ BHATTA
M SC. STRUCTURAL ENGINEER
NEC NO. 6361 CIVIL 'A'
Drawn by : Ar. SABINDRA SHRESTHA
Checked by :

Drawing Code:-

Sheet No:- A/06



SECTION AT X-X



DETAIL A
BASE PLATE PLAN
200 X 200 X 6mm
SECTION A-A

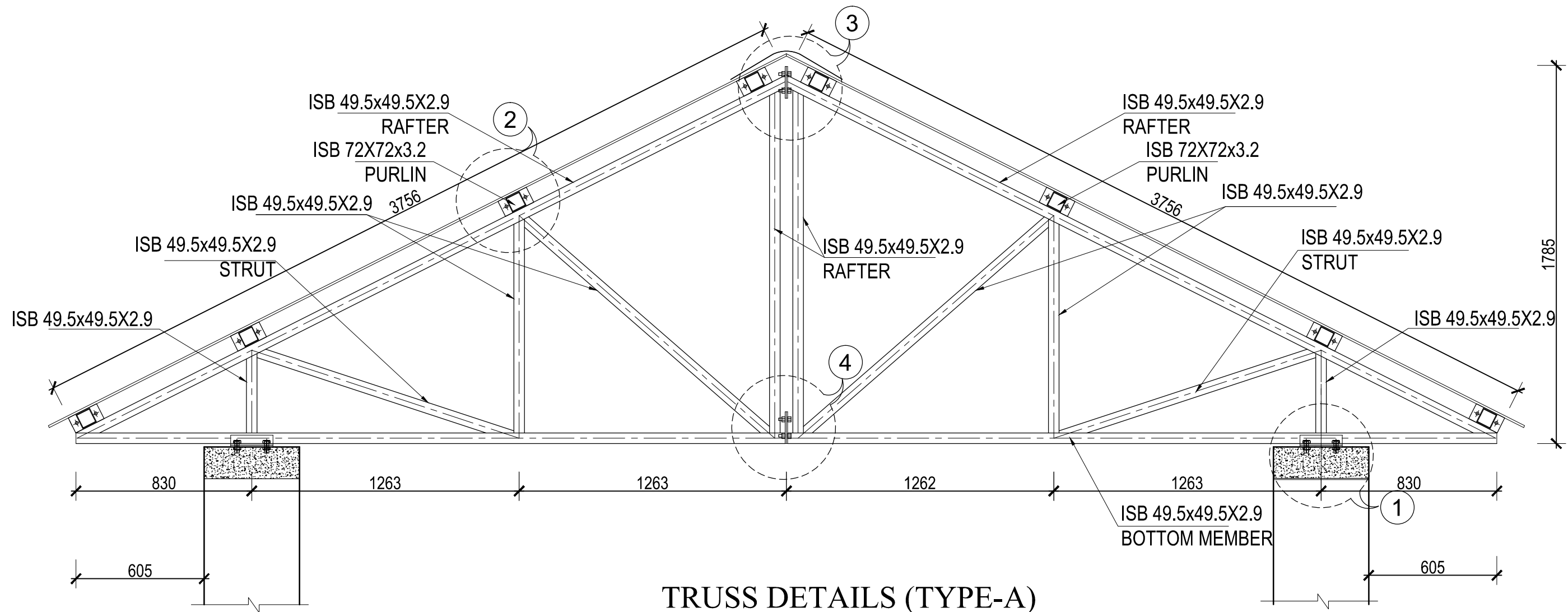
Government of Nepal
Ministry of Education
Department of Education
Sanothimi, Bhaktapur

NATIONAL SOCIETY FOR EARTHQUAKE TECHNOLOGY-NEPAL. (NSET)
Sainbu, Karyabinayak Municipality, Bhainsepati Residential Area, Lalitpur
Tel:(977-1)5591000, Fax: (997-1)5592692, P.O BOX: 13775, Kathmandu, Nepal
Email: nset@nset.org.np

JOB TITLE :
TYPE DESIGN OF SCHOOL BUILDING FOR HIMALAYAN/ HILLY REGION
Title :
TRUSS DETAIL SECTION

Date :
Scale : 1:30 for A3 paper
Designed by : Er. GOVIND RAJ BHATTA
M SC. STRUCTURAL ENGINEER
NEC NO. 6361 CIVIL 'A'
Drawn by : Ar. SABINDRA SHRESTHA
Checked by :

Drawing Code:-
Sheet No:- A/07



TRUSS DETAILS (TYPE-A)

Government of Nepal
Ministry of Education
Department of Education
Sanothimi, Bhaktapur

NATIONAL SOCIETY FOR EARTHQUAKE TECHNOLOGY-NEPAL. (NSET)
Sainbu, Karyabinayak Municipality, Bhainsepati Residential Area, Lalitpur
Tel(977-1)5591000, Fax: (997-1)5592692, P.O BOX: 13775, Kathmandu, Nepal
Email: nset@nset.org.np

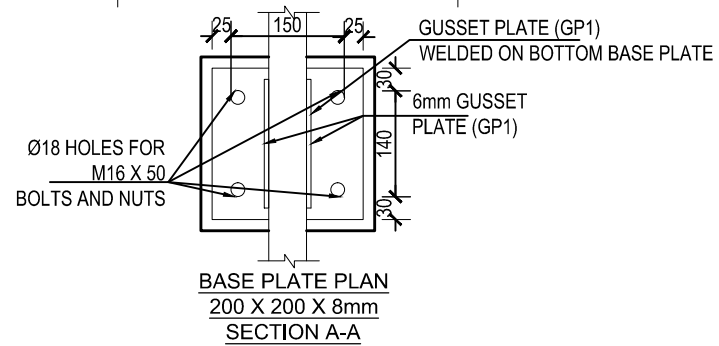
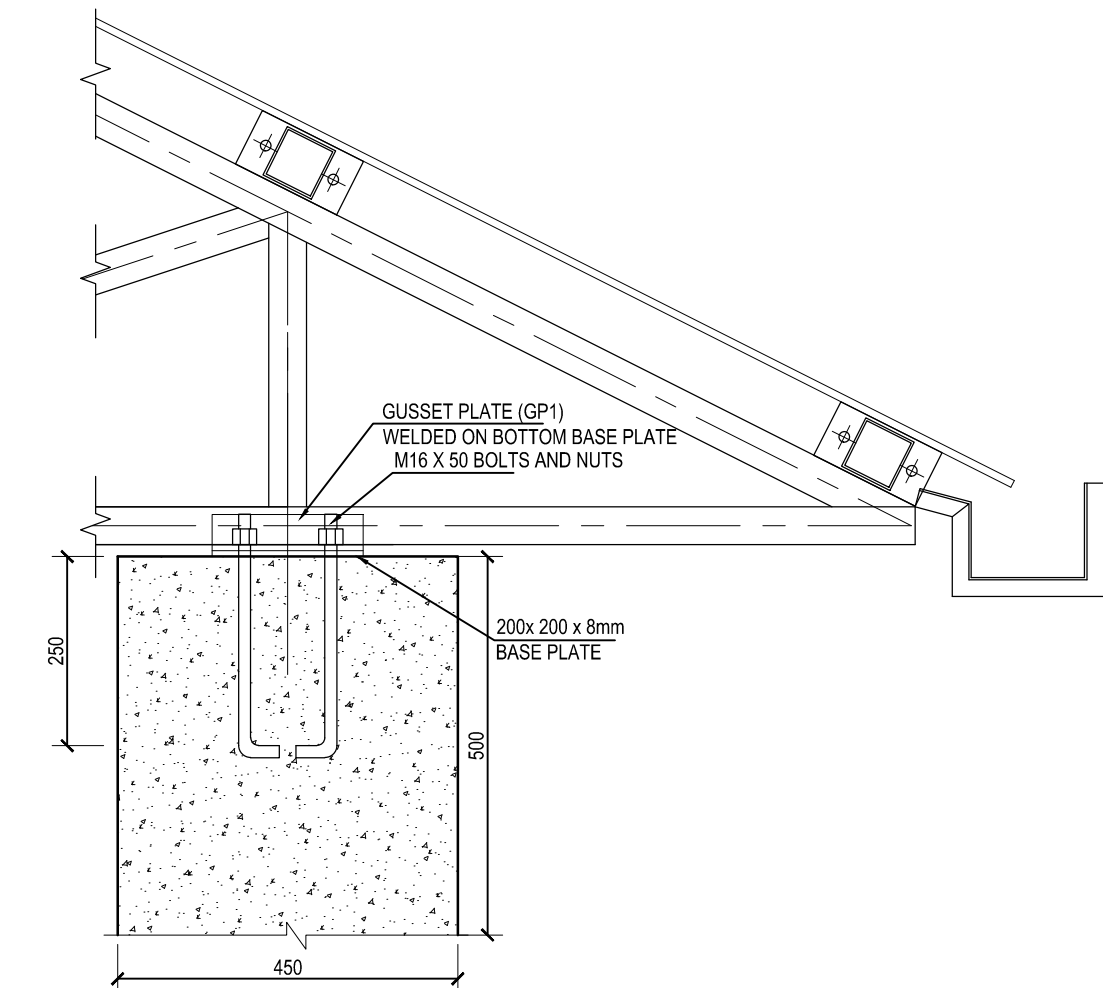
JOB TITLE :
**TYPE DESIGN OF SCHOOL BUILDING
FOR HIMALAYAN/ HILLY REGION**

Title :
TYPE-A, TRUSS DETAILS

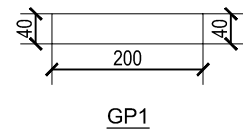
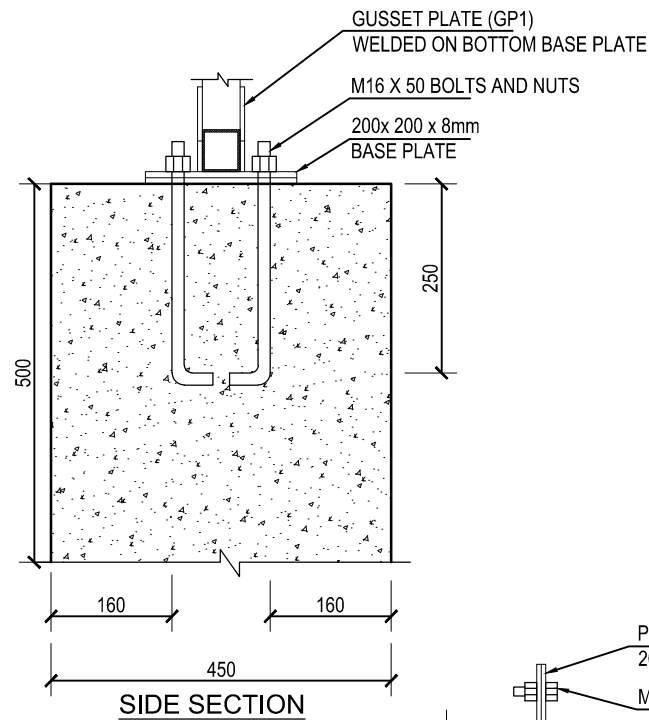
Date :
Scale : 1:20 for A3 paper
Designed by : Er. GOVIND RAJ BHATTA
M SC. STRUCTURAL ENGINEER
NEC NO. 6361 CIVIL 'A'
Drawn by : Ar. SABINDRA SHRESTHA
Checked by :

Drawing Code:-

Sheet No:- A/8a

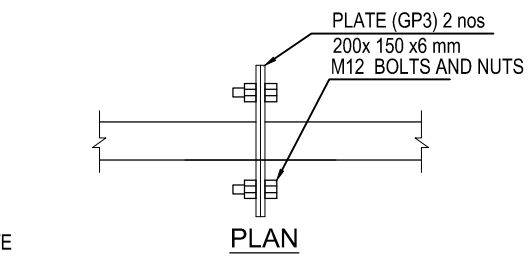


DETAIL 1

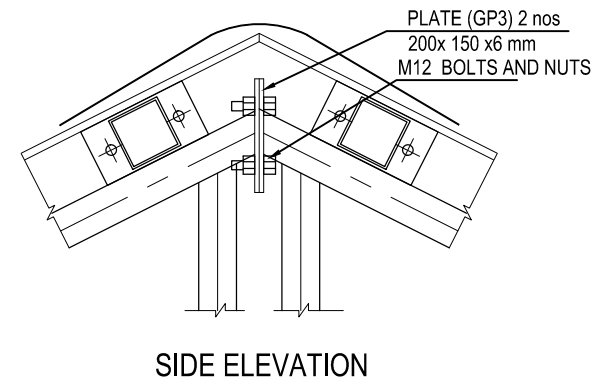


SIDE SECTION

GP1

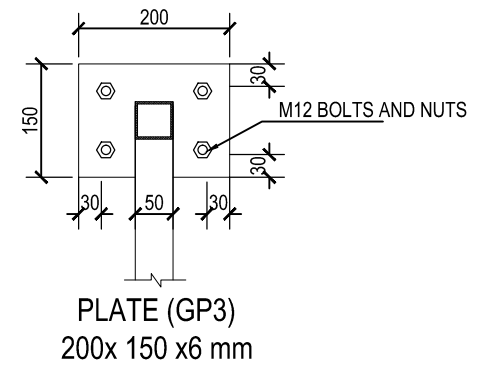


PLAN

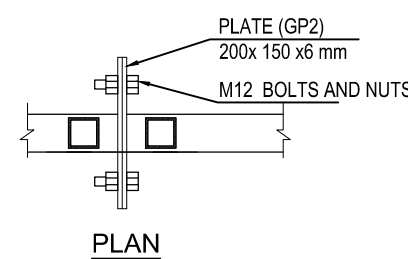


SIDE ELEVATION

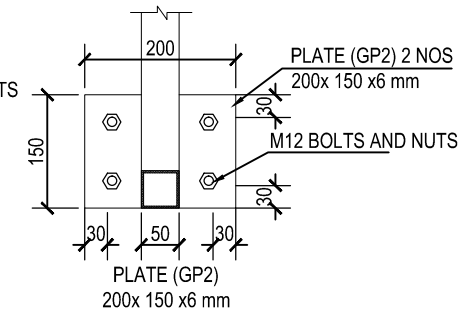
DETAIL 3



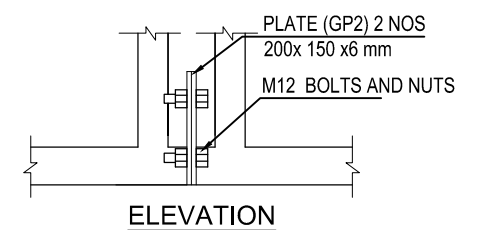
**PLATE (GP3)
200x 150 x6 mm**



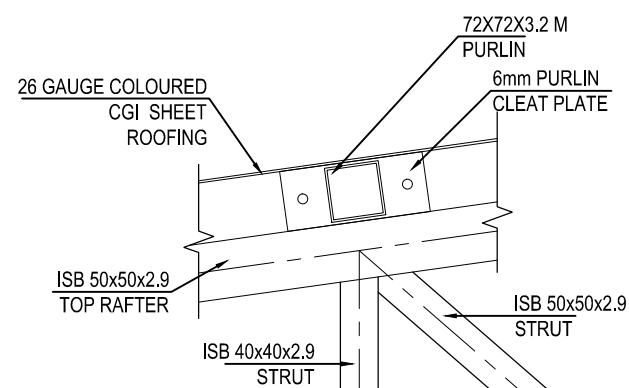
PLAN



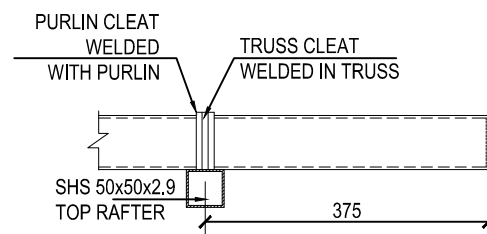
DETAIL 4



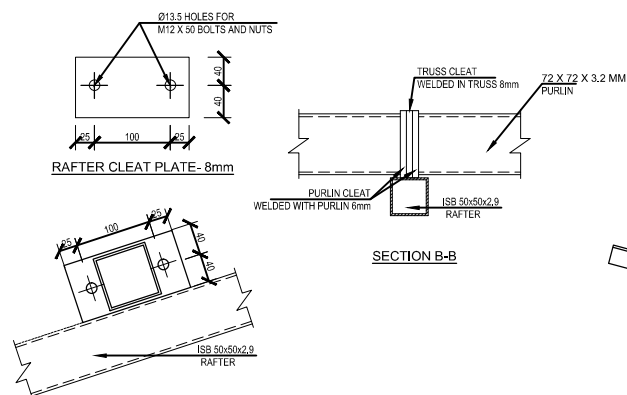
ELEVATION



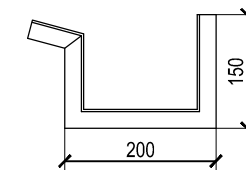
DETAIL AT 2



END PURLIN DETAIL



TRUSS CLEAT PLATE- 6mm



GUTTER DETAIL

Government of Nepal
Ministry of Education
Department of Education
Sanothimi, Bhaktapur

NATIONAL SOCIETY FOR EARTHQUAKE TECHNOLOGY-NEPAL. (NSET)
Sainbu, Karyabinayak Municipality, Bhainsepati Residential Area, Lalitpur
Tel:(977-1)5591000, Fax: (997-1)5592692, P.O BOX: 13775, Kathmandu, Nepal
Email: nset@nset.org.np

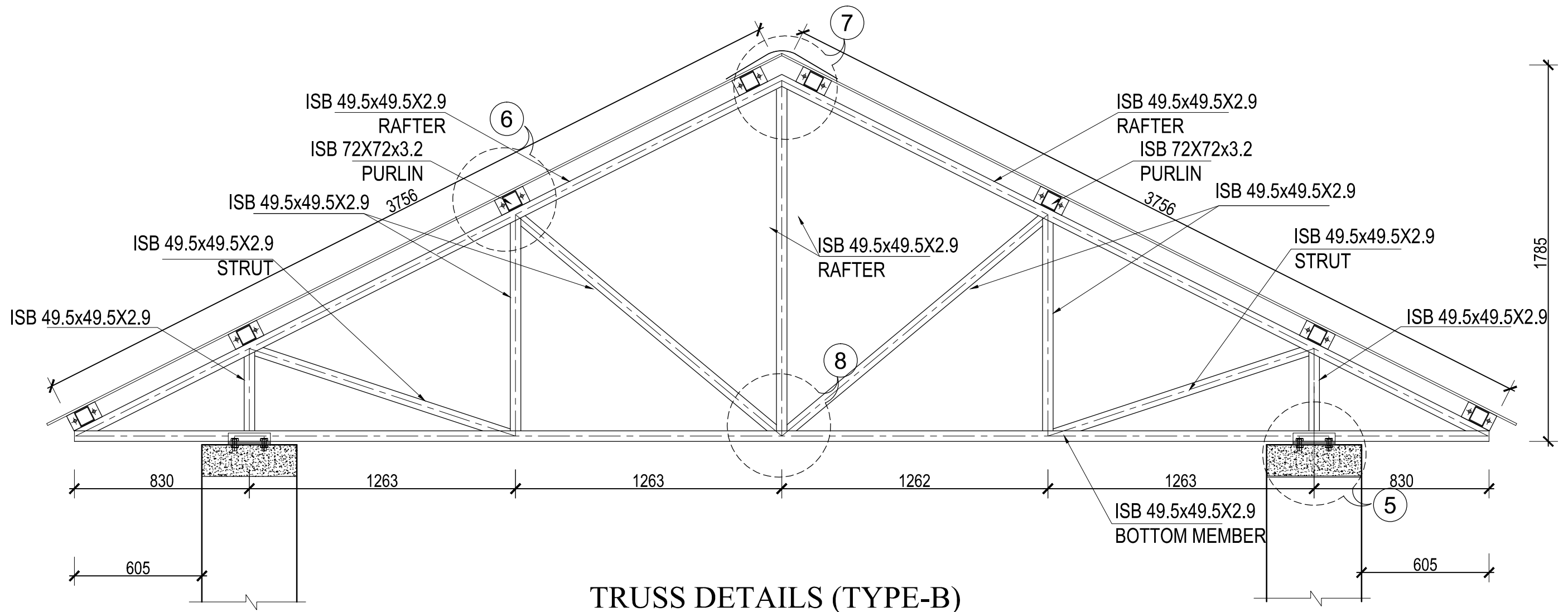
JOB TITLE :
**TYPE DESIGN OF SCHOOL BUILDING
FOR HIMALAYAN/ HILLY REGION**

Title :
TYPE-A, TRUSS DETAILS

Date :
Scale : 1:10 for A3 paper
Designed by : Er. GOVIND RAJ BHATTA
M SC. STRUCTURAL ENGINEER
NEC NO. 6361 CIVIL 'A'
Drawn by : Ar. SABINDRA SHRESTHA
Checked by :

Drawing Code:-

Sheet No:- A/8b



Government of Nepal
 Ministry of Education
 Department of Education
 Sanothimi, Bhaktapur

NATIONAL SOCIETY FOR EARTHQUAKE TECHNOLOGY-NEPAL. (NSET)
 Sainbu, Karyabinayak Municipality, Bhainsepati Residential Area, Lalitpur
 Tel:(977-1)5591000, Fax: (997-1)5592692, P.O BOX: 13775, Kathmandu, Nepal
 Email: nset@nset.org.np

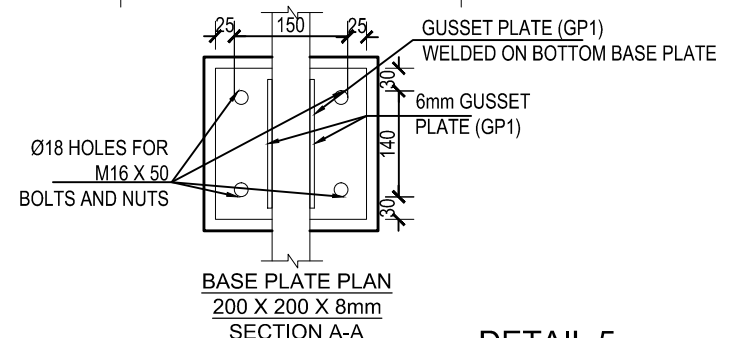
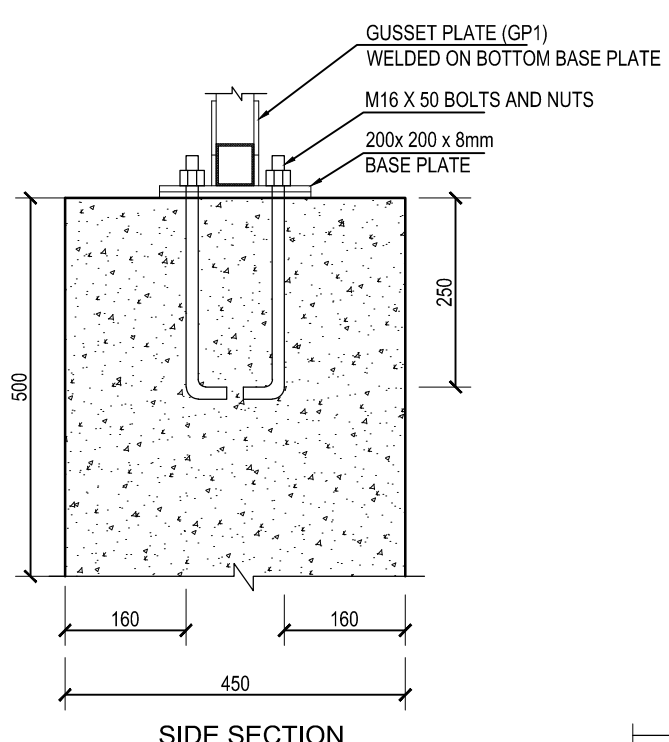
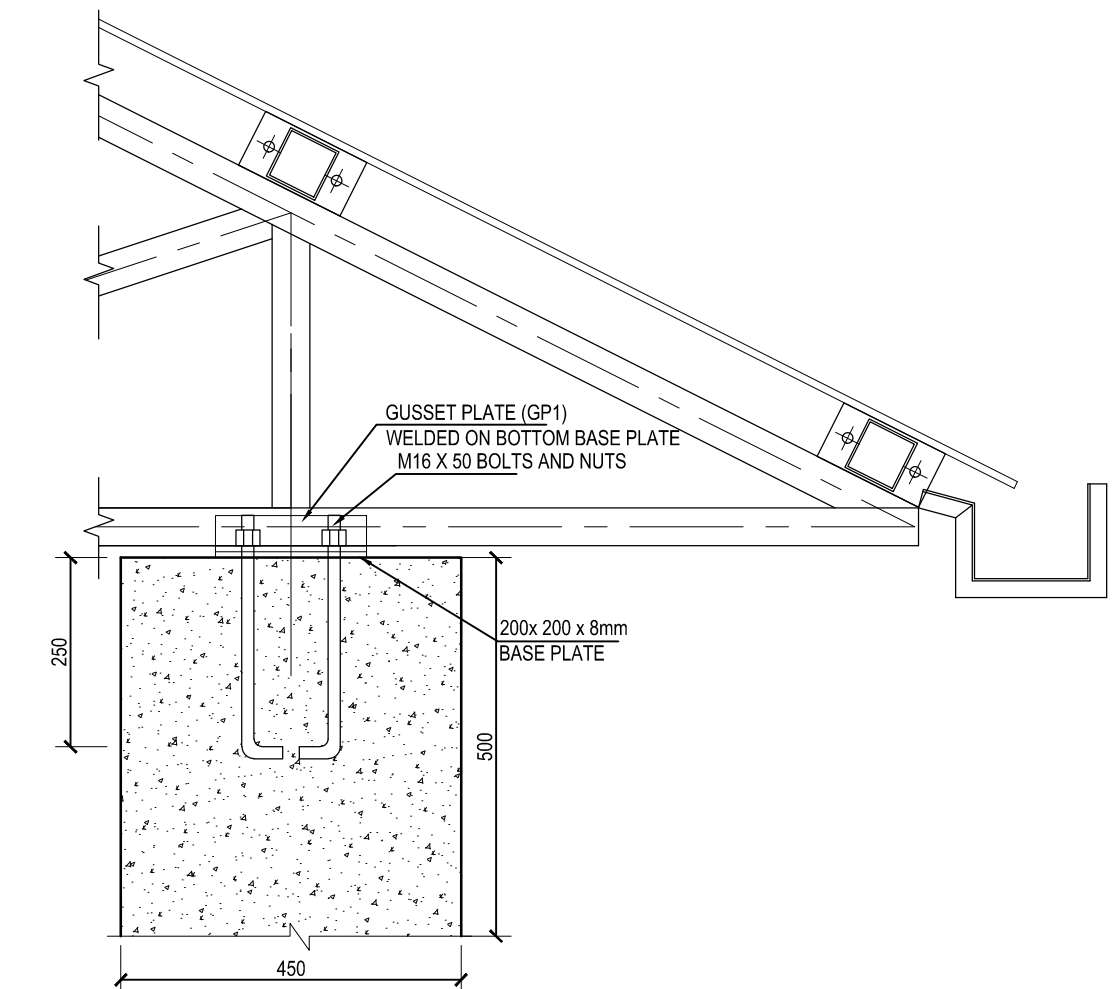
JOB TITLE :
**TYPE DESIGN OF SCHOOL BUILDING
 FOR HIMALAYAN/ HILLY REGION**

Title :
TYPE-B, TRUSS DETAILS

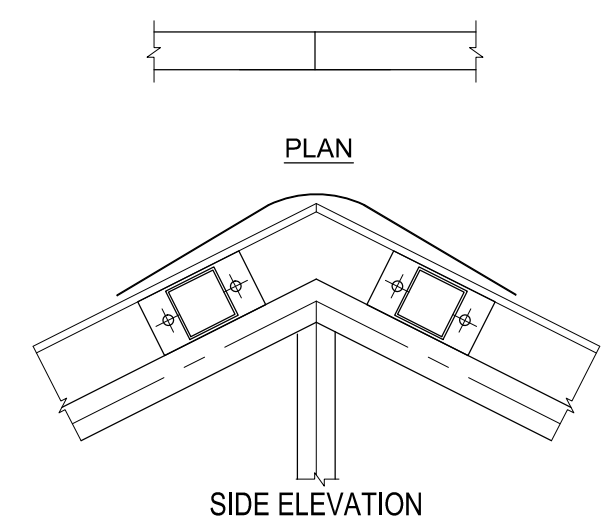
Date :
 Scale : 1:20 for A3 paper
 Designed by : Er. GOVIND RAJ BHATTA
 M SC. STRUCTURAL ENGINEER
 NEC NO. 6361 CIVIL 'A'
 Drawn by : Ar. SABINDRA SHRESTHA
 Checked by :

Drawing Code:-

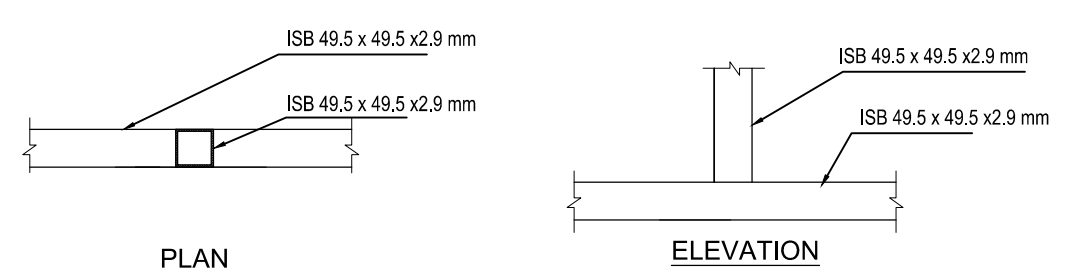
Sheet No:- A/9a



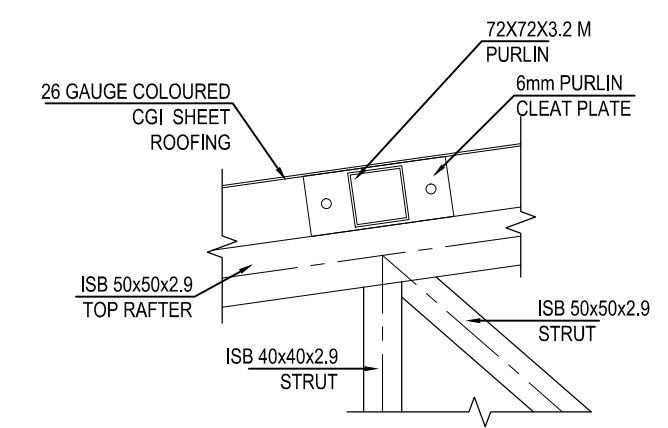
DETAIL 5



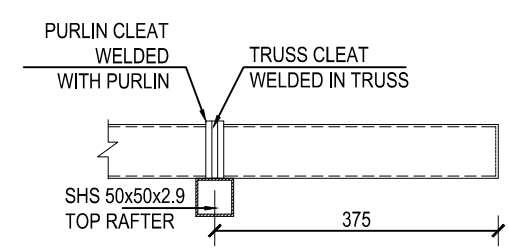
DETAIL 7



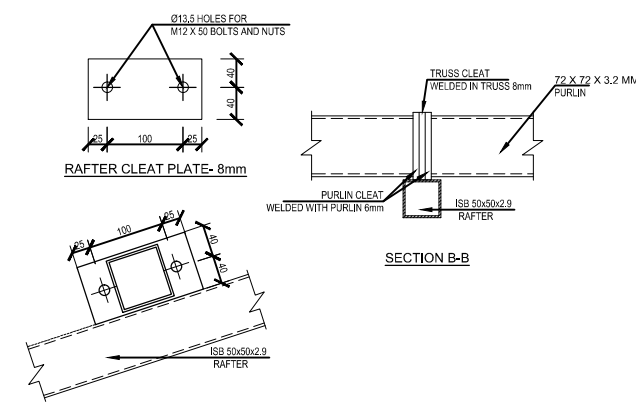
DETAIL 8



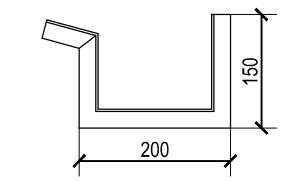
DETAIL AT 6



END PURLIN DETAIL



TRUSS CLEAT PLATE- 6mm



GUTTER DETAIL

Government of Nepal
Ministry of Education
Department of Education
Sanothimi, Bhaktapur

NATIONAL SOCIETY FOR EARTHQUAKE TECHNOLOGY-NEPAL. (NSET)
Sainbu, Karyabinayak Municipality, Bhainsepati Residential Area, Lalitpur
Tel:(977-1)5591000, Fax: (997-1)5592692, P.O BOX: 13775, Kathmandu, Nepal
Email: nset@nset.org.np

JOB TITLE :
**TYPE DESIGN OF SCHOOL BUILDING
FOR HIMALAYAN/ HILLY REGION**

Title :
TYPE-B, TRUSS DETAILS

Date :
Scale : 1:10 for A3 paper
Designed by : Er. GOVIND RAJ BHATTA
M SC. STRUCTURAL ENGINEER
NEC NO. 6361 CIVIL 'A'
Drawn by : Ar. SABINDRA SHRESTHA
Checked by :

Drawing Code:-
Sheet No:- A/9b